

GLAMOUR™

PRODUCT DESCRIPTION

Glow with confidence using the Glamour™ makeup mirror. Its radiant LED halo casts natural-looking light, while the smooth tilt and 5X magnification help you perfect every detail with ease and grace.

SPECIFICATION STATEMENT

Solution shall consist of a round lighted makeup mirror with forward-facing task lighting and corrosion-resistant glass. Mirror shall have 5X magnification over a normal reflection and an adjustable viewing angle for precise positioning. Entire mirror perimeter shall be backlit utilizing energy-efficient LED lighting technology.

THE ELECTRIC MIRROR ADVANTAGE

- ✓ Global mirror technology leader for over 25 years
- ✓ More installations than all competitors combined
- ✓ Realistic warranty you can believe in and trust
- ✓ Lowest total cost of ownership
- ✓ U.S.-based customer service support
- ✓ 125,000-square-foot American manufacturing facility

FEATURES AND BENEFITS

- Corrosion-resistant mirror glass
- Forward-facing task lighting for ideal makeup application and grooming
- 5X magnification
- Up-and-down tilt
- Side-to-side swivel
- Wall-mounted (hardwired)
- Suitable for damp bathroom environments
- Energy efficient
- Easy installation
- 1-year limited warranty
- Designed in USA

STANDARD FINISHES

MATTE
BLACK

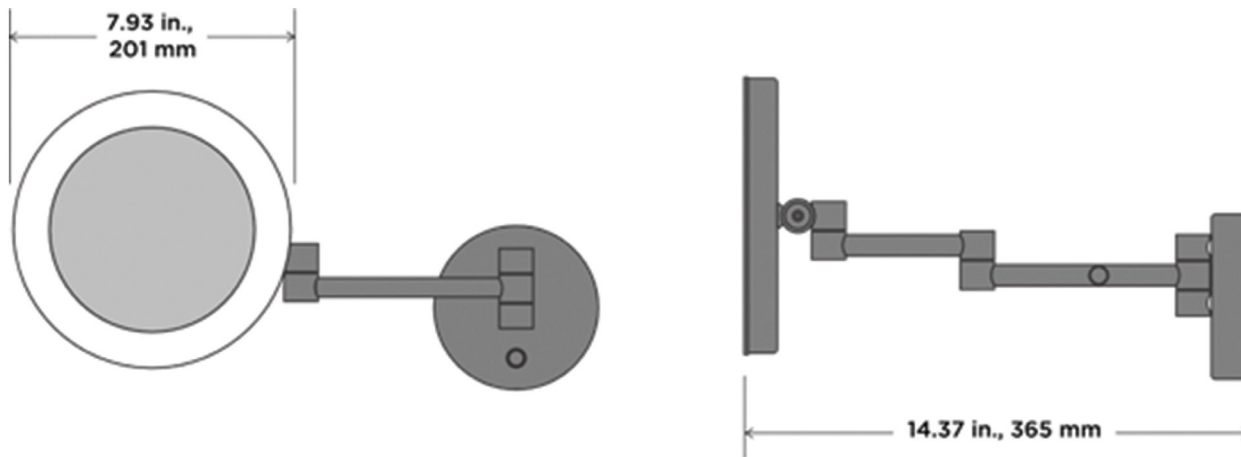
LIGHTING SPECIFICATIONS

- Natural-looking LED light color
- Superior color rendering: 90+ CRI
- Color temperature (CCT): 3,000K

SAFETY SPECIFICATIONS

- Entire assembly meets UL/cUL standards

DIMENSIONAL DRAWINGS (Not to scale.)



STANDARD MODELS

Model Number ¹	Finish	Model Type	Dimensions ²	Power Requirements ³
MM-GLA-WM-BK05	■ Matte Black (BK-05)	Wall-mounted (hardwired)	7.93" W x 7.93" H x 14.37" D (201mm W x 201mm H x 365mm D)	120VAC, 6W

INSTALLATION SPECIFICATIONS (for Standard Models)

- 120VAC hardwire electrical connection
- Requires a standard 3.5" or 4" octagonal electrical box
- Controlled by on/off switch on fixture
- Fixture can only be hung in the WxH orientation as shown; fixture is not field-interchangeable

¹ Standard model numbers shown. For assistance specifying additional options, please contact Electric Mirror.

² Tolerances for dimensions are ±1/8" (±3mm).

³ Lumen output and power requirements are calculated based on component specifications and may vary from actual.