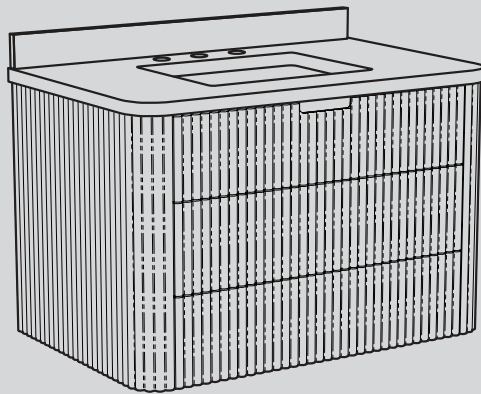


VANITIES
BY ELECTRIC MIRROR®



INSTALLATION GUIDE
MONTEREY VANITY

CONGRATULATIONS

You've purchased one of the finest vanities available. Please read these unpacking and installation instructions thoroughly before beginning the process.

If you have any questions or need help along the way, please contact our Customer Service team for assistance.

NEED HELP?

Call: 425-776-4946

Email: support@electricmirror.com



STORAGE GUIDELINES:

- Store all components in a dry, climate-controlled area to prevent damage from moisture or temperature fluctuations.
- Keep the countertop in its original packaging until installation to protect it from scratches, chips, or other damage.
- Store the countertop vertically in a safe and secure location to avoid tipping or accidental damage.
- Do not stack anything on top of the boxes or crates to prevent crushing or warping.

HANDLING INSTRUCTIONS:

- Always use a two-person crew when moving the countertop. The stone is heavy and fragile, requiring careful handling.
- Carry the countertop vertically to distribute weight evenly and reduce the risk of breakage. Carrying horizontally will increase the likelihood of cracking or breaking.
- Avoid dragging or sliding the countertop, as this can cause scratches or damage to the surface.

SITE PREPARATION:

- Pre-install required wood blocking in the wall sufficient to support the weight of the vanity (including the countertop and sink).
- A qualified electrician should install the required electrical box and it should be protected by a GFCI circuit in adherence with your local electrical building codes.

INSTALLATION PREPARATION:

- Before you begin installation, please inspect the Quartz Countertop for any cracks or other defects. If defects are detected, do not install it. Contact our Customer Service team for assistance.
- Ensure the installation area is clean, level, and free of debris to facilitate proper placement.
- Allow the countertop to acclimate to room temperature for at least 24 hours before installation, especially if it has been stored in a cold environment.
- Have all necessary tools and materials ready, including: anchoring hardware, adhesive/sealant, and leveling equipment.
- Wear appropriate safety gear, such as: safety glasses, gloves, and closed-toe shoes during handling and installation.

PARTS INCLUDED

- A. Backsplash x 1
- B. Countertop x 1
- C. Sink x 1
- D. Undermount Sink Clips x 4 (for mounting sink to countertop)
- E. Washers x 4 (for mounting sink to countertop)
- F. Machine Screws x 4 (for mounting sink to countertop)
- G. Wing Nuts x 4 (for mounting sink to countertop)
- H. Wall Cleat x 1
- I. Vanity Base x 1
- J. Positioning Template

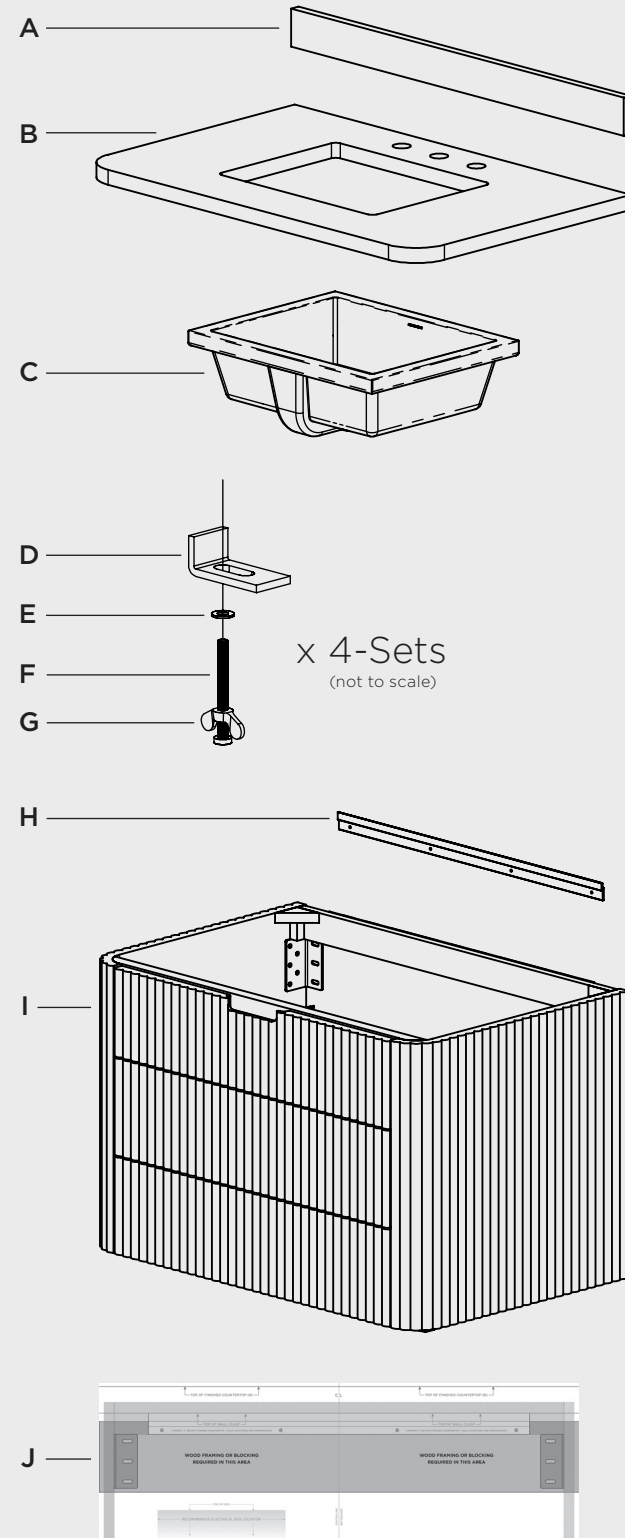
ADDITIONAL ITEMS NEEDED

(NOT INCLUDED)

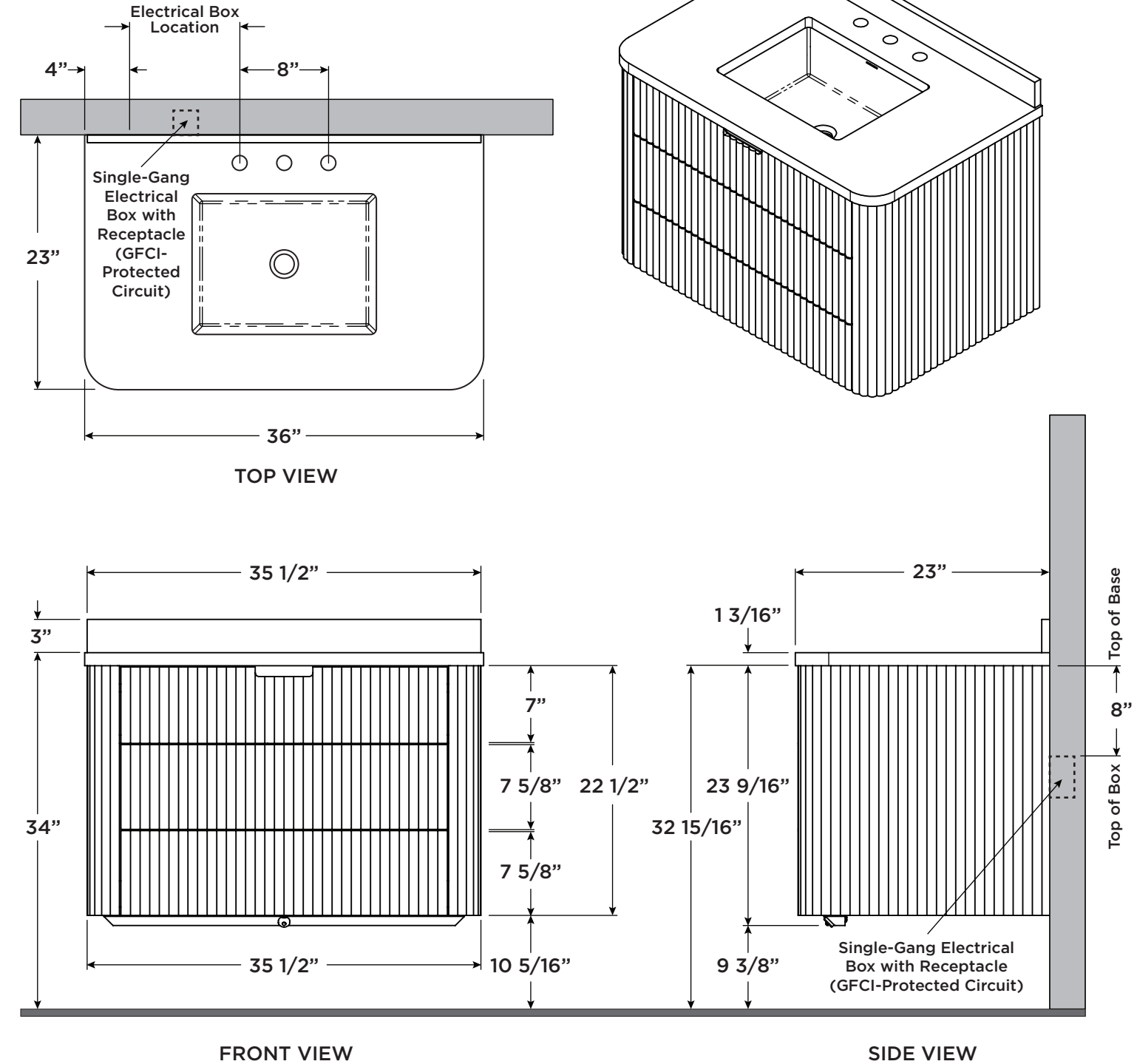
- Wood Screws x 4 (to attach Wall Cleat to the wall)
- Lag Screws x 6 (to attach corner brackets to the wall)
- Washers x 6 (used with Lag Screws for corner brackets)
- Silicone Adhesive/Sealant (for sink, countertop, and backsplash)

TOOLS NEEDED

- Pencil
- Tape Measure
- Level
- Stud Finder
- Screwdriver (Phillips Head)
- Drill/Driver
- Drill Bits
- Driver Bits
- Caulking Gun

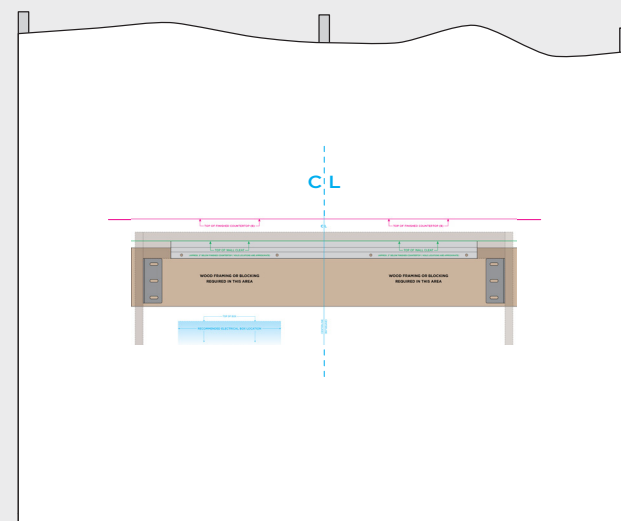


VANITY DIMENSIONS



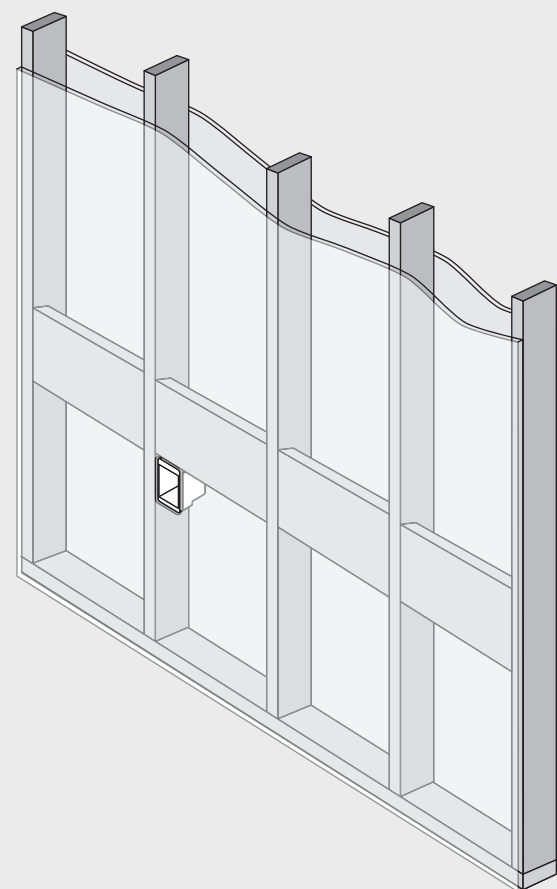
IDENTIFY POSITIONING

1. Find the centerpoint of where you want to install the vanity and mark it.
2. Using a level, scribe a vertical line to indicate the center line of the vanity and label it for reference.
3. Measure up from the finished floor to the top of the finished countertop and mark this elevation on the wall.
4. Using a level, scribe a horizontal line at least the width of the vanity to indicate on the wall where the top of the finished countertop will be, and label it for reference..
5. Using the template provided, align the top of the template with the finished countertop line and horizontally align the centerline on the template with the centerline previously marked on the wall.
6. Tape the template into position and ensure it doesn't move.
7. Mark where the top and bottom edges of the blocking should be located and label these for reference.
8. Mark where the inside edges of the vanity will be and label these for reference.



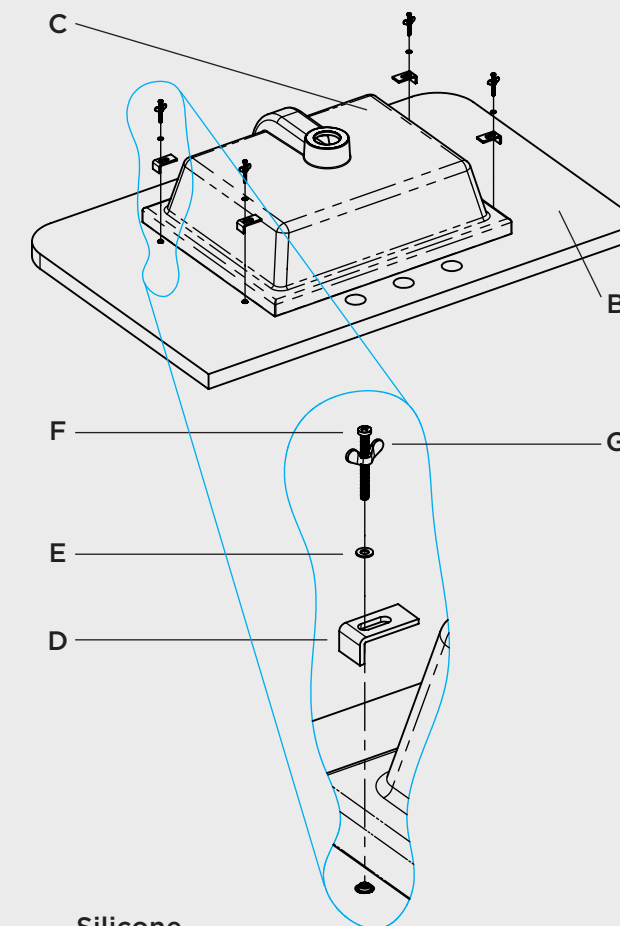
PREPARE THE WALL

1. Adequate wood framing/blocking in the wall is required for installation in order to support the weight of the vanity.
2. Use the marks made previously to identify where the blocking should be installed.
3. Install wood blocking/framing adequate to support the weight of the vanity using an approved method based on your local building codes.
4. Additionally, an approved standard NEMA 1-gang US electrical junction box is required to provide power to the vanity. The box should be located below the blocking, approximately 8" below the top of the Vanity Base (I), and between 4" and 14" from the left outside edge of the Vanity Base (I). Use the marks made previously to help with positioning of the electrical box.
5. A qualified electrician should wire the box to a protected GFCI circuit in adherence with your local electrical building codes. A standard, grounded receptacle is required.

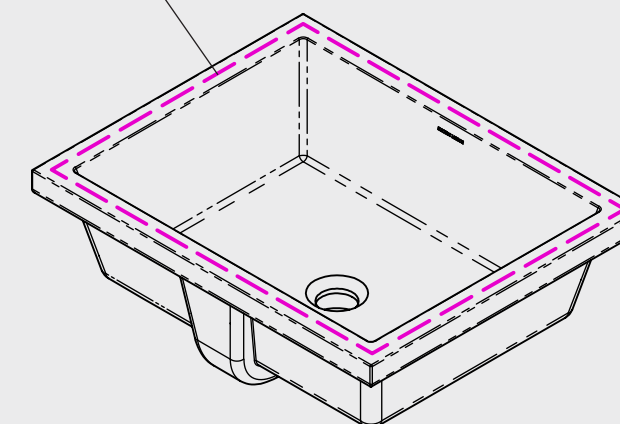


MOUNT THE SINK TO THE COUNTERTOP

1. Place the countertop face down on a blanket, smooth cardboard, or another clean, smooth work surface sufficient to support the weight of the countertop.
2. Four holes with threaded inserts for the sink mounting clips should be visible.
3. Verify the sink cutout alignment by positioning the sink in the desired mounting location and checking alignment. Be sure to leave a minimum clearance of 9/16" on the underside of the countertop between the back edge of the sink and the faucet holes (required for proper installation of the faucet).
4. Mark the corners of the sink position on the under side of the countertop using a pencil.
5. Align Sink Clip (D), Washer (E), and Machine Screw (F) with Wing Nut (G) and thread Machine Screw (F) into threaded insert in the bottom of the countertop.
6. Repeat Step-5 for the three remaining holes (there will be 4 total).
7. Tighten the Wing Nuts (G) just enough for the Sink Clips (D) to hold the sink in place without allowing any movement. **BE CAREFUL NOT TO OVER-TIGHTEN THE WING NUTS OR YOU MAY RISK DAMAGING THE SINK OR COUNTERTOP.**
8. Using a team of 2 people, carefully flip the countertop right side up to check the sink alignment within the cutout.
9. Turn the countertop/sink assembly face down again and make any positioning adjustments needed to align the sink within the cutout.
10. Re-mark the sink positioning, as needed, using a pencil.
11. Loosen the Wing Nuts (G) and move the Sink Clips (D) out of the way of the sink.
12. Leaving the countertop in place, turn just the sink over and apply a bead of silicone sealant around the entire rim of the top side of the sink (as shown).
13. Flip the sink over and carefully lower it back into place onto the countertop, aligning it using the positioning marks made earlier. Press down firmly.
14. Re-install the Undermount Sink Clip Assembly (Parts D, E, F, and G) to secure the sink to the countertop by carefully tightening the Wing Nuts (G). **BE CAREFUL NOT TO OVER-TIGHTEN THE WING NUTS OR YOU MAY RISK DAMAGING THE SINK OR COUNTERTOP.**
15. Wipe away any excess silicone using a soft cloth.



Silicone Sealant

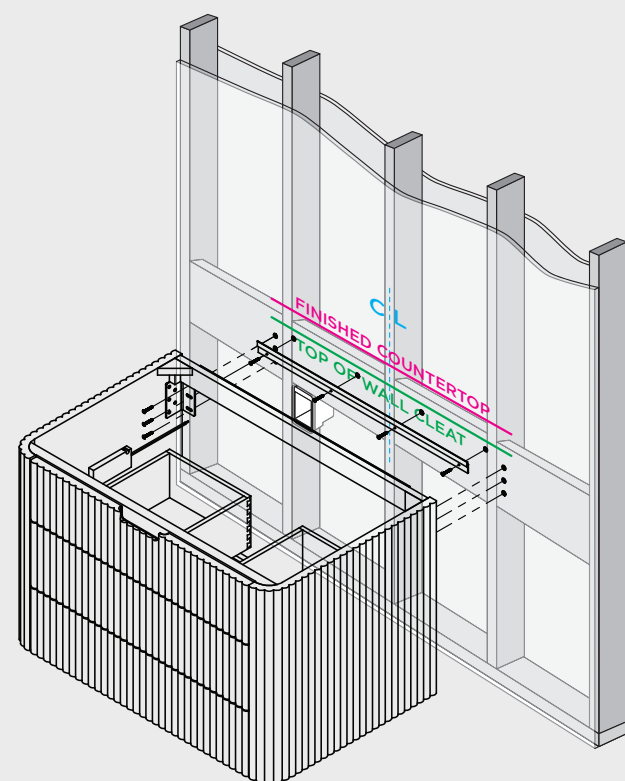
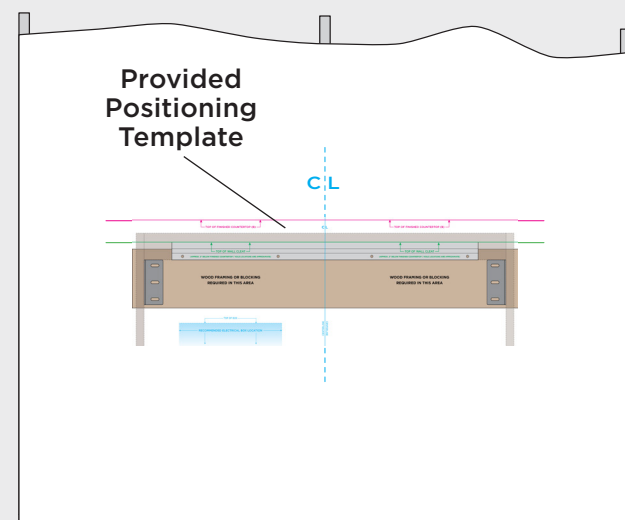


Allow the silicone sealant on the sink rim to fully cure according to the manufacturer's recommendations before installing the countertop onto the vanity base.

INSTALL THE VANITY BASE

IMPORTANT: Ensure that the required framing/blocking and grounded GFCI-protected electrical box have been installed in the wall before proceeding.

1. Tape the provided positioning template in place onto the wall so that it aligns with both the finished countertop line and the centerline.
2. Using a level, position the wall cleat over the template on the wall so that the top of the cleat lines up with the horizontal line indicating where the top of the wall cleat should be aligned.
3. Check for level and then mark the locations of the wall cleat mounting holes using the wall cleat as a guide.
4. Using an appropriate sized drill bit for the mounting screws, pre-drill pilot holes for the wall cleat screws.
5. Remove the template from the wall.
6. Re-check the wall cleat to ensure it is still level.
7. Using an impact driver, install the wall cleat onto the wall using appropriate wood screws.
8. Measure and mark a centerline on the back horizontal support of the vanity.
9. Using a 2-person crew, carefully lift the vanity base and hang it on the wall cleat while aligning the centerline marked on the vanity with the centerline on the wall.
10. Check to ensure the vanity is level and that the electrical box is accessible from inside the vanity base.
11. Install appropriate lag screws through the steel corner brackets into the wood blocking to secure the vanity base to the wall, ensuring it cannot move side-to-side or up-and-down.



CONNECT THE ELECTRICAL

IMPORTANT: The grounded electrical box should be installed by a qualified electrician using a protected GFCI circuit.

1. Plug the cord for the accessory power into the power receptacle.
2. Plug the cord for the under-cabinet lighting into the power receptacle.
3. Test the accessory power located inside the tilt out panel at the top of the vanity to ensure it is working.
4. Test the motion-sensor-activated under-cabinet lighting to ensure it is working.

INSTALL THE COUNTERTOP

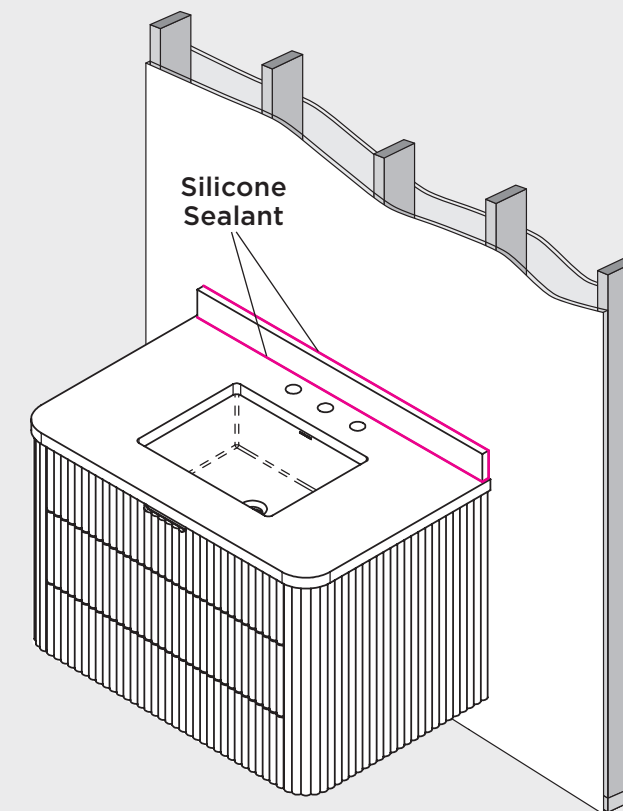
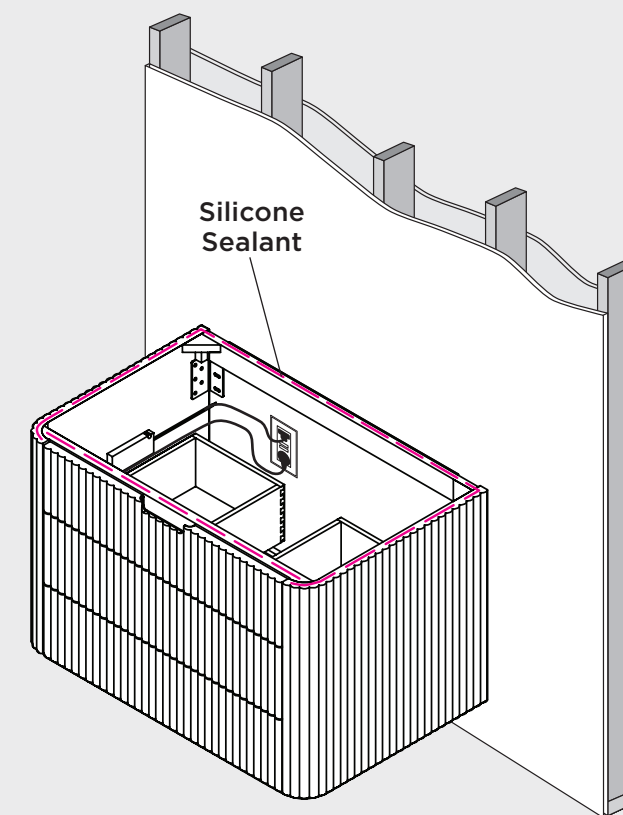
1. Using a 2-person crew, and keeping the countertop vertical, carefully place the back edge of the countertop (with the sink attached) onto the back edge of the vanity base. Then, slowly lower the front edge onto the base. If the sink catches on the front edge of the base, you may need to lift the back of the countertop slightly until the sink clears.
2. Check that the countertop fits properly and that there is a slight overhang on both sides and the front edge. Ensure the countertop is centered over the base by verifying the overhang is equal on each side.
3. Once you have confirmed the countertop fits, carefully tilt it back vertically by lifting the front edge. Then set the countertop aside onto a smooth, clean surface to ensure it doesn't get scratched or broken.
4. Apply a series of 2-3" long heavy beads of clear silicone adhesive/sealant around the perimeter of the top edge of the vanity base closer to the inside.

CAUTION: Avoid applying adhesive/sealant to the top edge of the tilt out panel. Opening the panel prior to applying the adhesive/sealant will help avoid this by ensuring that it's out of the way.

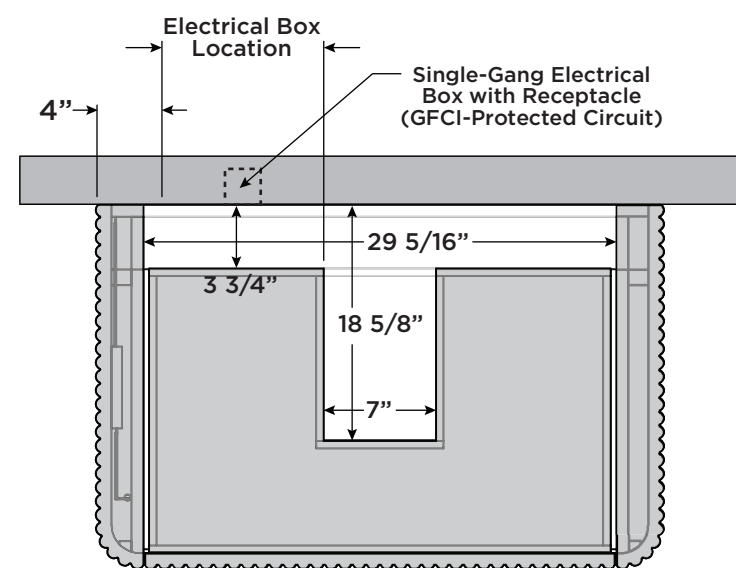
5. Using a 2-person crew, and keeping the countertop vertical, again carefully place the back edge of the countertop (with the sink attached) onto the back edge of the vanity base.
6. Verify the positioning of the countertop left-to-right on the back edge of the vanity base to ensure there is the same overhang on both sides.
7. Then, slowly lower the front edge onto the vanity base until the countertop is fully resting on the base.
8. Ensure the countertop is pushed all the way back until it touches the wall.
9. Wipe away any visible adhesive/sealant around the edges of the countertop and base.

INSTALL THE BACKSPLASH

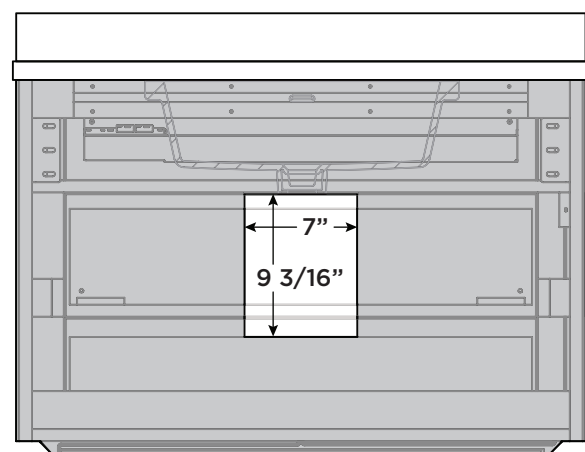
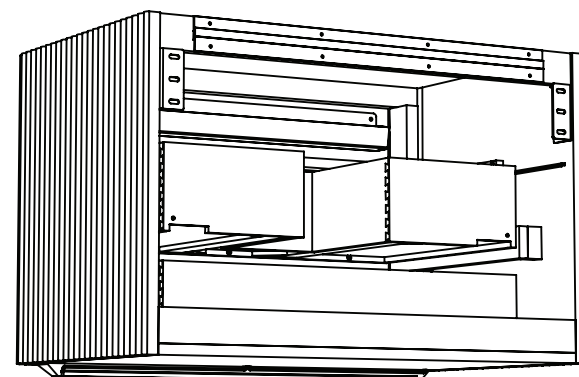
1. Apply a bead of silicone adhesive/sealant in a zigzag pattern on the back of the backsplash.
2. Set the backsplash vertically onto the countertop near the wall and carefully slide it back until it touches the wall. Push it gently into the wall to adhere it.
3. Apply a small continuous bead of silicone sealant all the way around the bottom seam where the backsplash contacts the countertop to prevent any water from seeping under the backsplash.
4. Apply a small bead of silicone sealant all the way around the seam between the backsplash and the wall to prevent any water from getting behind it.



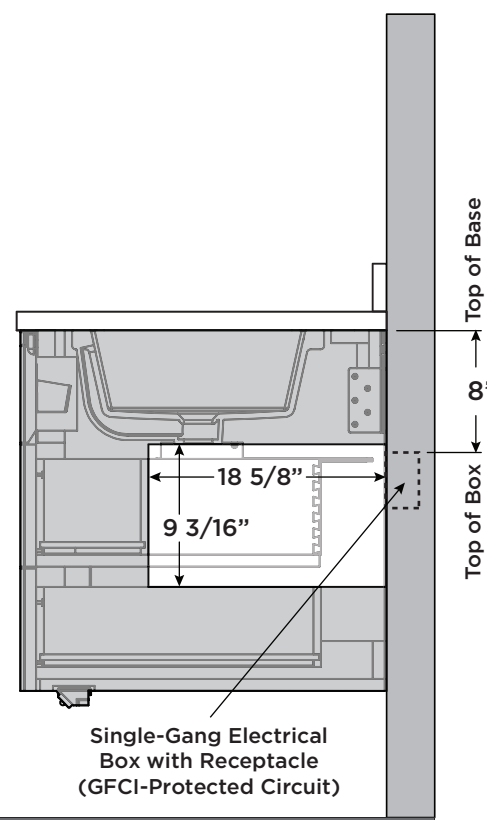
ELECTRICAL & PLUMBING ROUGH-IN



TOP VIEW



FRONT VIEW



SIDE VIEW

PRODUCT CARE & MAINTENANCE

Outlined below is product care and maintenance guidelines for your new bathroom vanity. Provided here are detailed instructions on caring for countertops and guidance on maintaining sinks and vanity bases.

Different types of materials can be integrated into the base of vanities. Please review these essential care tips and maintenance guidelines to uphold the quality of your bathroom vanity while protecting the finishes.

USE THE RIGHT KIND OF CLEANING CLOTH

Always use soft, grit-free, and lint-free microfiber cloths to reduce the chance of scratching the surfaces.

The best and safest way to clean your vanity is using warm water and a microfiber cleaning cloth.



QUARTZ COUNTERTOP

Simple maintenance can keep your quartz countertop looking great for life. Quartz countertops are extremely resilient and never require sealing, polishing, or reconditioning. Routine care and cleaning are very simple, and with basic precautions to prevent stains, dents, or scratches, quartz countertops can lend beauty and a sense of permanence to any space. Here are a few tips for caring for your countertops.

- Never use strong chemicals or solvents, including but not limited to: strong alkaline, acid, or oxidizers. Various chemicals are corrosive.
- Do not use certain cleaning products, including, but not limited to: bleach, oven cleaners, Comet™, SoftScrub™, S.O.S.™ pads, batteries, paint removers, furniture strippers, and tarnish or silver cleaners.
- Never use abrasive scrub pads.
- Do not apply any sealers, penetrants, or topical treatments under any circumstances.
- Hitting edges around the sink could cause chips.
- Sharp objects could leave scratch marks.
- Heat will damage quartz and should be avoided.

SINK

Our sinks are made of vitreous China which is a very strong and durable material. With proper care, it can remain beautiful for many years to come. Follow the cleaning and repair guide below.

To clean the sink, gently wipe it with a soft cloth, then rinse and dry thoroughly. Never use abrasive cleaners, sponge pads, steelwool, or wire brushes. Also avoid strong chemicals or solvents.

Follow these additional steps for optimal results in effectively repairing your vitreous China sink and addressing issues such as fine scratches and minor cuts.

Removing fine scratches:

- Fill the sink with warm water and add two cups of bleach.
- Let the solution sit overnight.
- Drain, rinse and dry completely.

Removing minor cuts:

- Sprinkle baking soda over the length of the cut.
- Buff the cut with a soft, damp cloth, rubbing the entire length of the cut in a circular motion back and forth.
- After a few minutes of rubbing, rinse with warm water, and dry completely.

METAL

Wipe away any spills or smudges with a damp microfiber cloth using just water or in combination with a mild soap. Do not use scouring pads or sponges—these can easily scratch the surface and remove its luster. **Do not use ammonia, bleach, or other chemical cleaners that can also damage the finish.**

WOOD & VENEER

Wipe the surface with a slightly damp, soft, lint-free microfiber cloth for daily cleaning. Wipe dry in the direction of the wood grain. Avoid wax or oil-based furniture polishes and cleaners, which will build up on the surface. **Additionally, avoid cleaning products that contain ammonia, alcohol, or abrasives.**

GLASS

The best and safest cleaner is simply clean, warm water used with a soft microfiber cloth. **If using a commercial glass cleaner, be sure to select one that DOES NOT contain ammonia or vinegar, which can damage the surface of the glass.** If applicable, be sure the glass cleaner does not touch any wood surfaces, as it will harm the finish.

VANITIES
BY ELECTRIC MIRROR®