

VANITIES  
BY ELECTRIC MIRROR®



EM

SEABROOK™

Dimensions: 30"W x 21"D x 20"H

Materials:

- Countertop: Frosty Chateau (SF-1001)
- Wood Finish: Monaco (550C-3), 25% sheen

Wood Finish

Countertop



Monaco



Frosty Chateau  
Solid Surface

EM Mirror: [Eminence™ Lighted Mirror](#)



## Features & Benefits

- Features a Frosty Chateau (SF-1001) solid surface molded countertop with an integrated oval sink.
- Solid surface is a non-porous, durable material that can be easily repaired when necessary. The matte finish is resistant to scratches.
- Crafted with 3/4" plywood substrate with MDF.
- Painted finish in Benjamin Moore Monaco (550C-3) with a 25% sheen, achieved through a multistep finishing process.
- Features an open cubby, thoughtfully designed for convenient storage.
- Wall-mounted design with cleat attachment for easy installation.

## Manufacturing & Quality Requirements

- All items must be of contract-grade quality, suitable for high-end hospitality use.
- Products must comply with local, state, national, and international codes, including ADA guidelines and fire/life safety regulations.
- Manufacturer must submit certificates of compliance, installation guidelines, maintenance instructions, and warranty documentation.
- All wood must be kiln-dried hardwood, marine-grade plywood, or waterproof MDF.
- Veneers must be A/B grade, with consistent grain and finish.
- All exposed edges must be sealed for moisture resistance.
- Finishes must be commercial-grade catalyzed lacquer, resistant to water, alcohol, and chemical stains.
- Vanities must be impact- and scratch-resistant, with matching finish on all sides and interiors.
- Drawer boxes must feature five-sided dovetail construction. Where plumbing interference exists, a U-shaped configuration should be used to maintain functionality without compromising structural integrity.
- All work must be corner blocked, glued, and reinforced with screws or appropriate mechanical fasteners.
- Use premium undermount soft-close slides and concealed soft-close hinges.
- All metal components and hardware must be made from 304 stainless steel, offering rust and corrosion resistance suitable for most environments. For coastal or high-humidity locations, 316 stainless steel must be used to ensure enhanced durability and protection against salt exposure.
- All exposed hardware finishes must be approved prior to production.
- Leveling glides must be heavy-duty, non-rust nylon, sized and colored to match the base or leg finish.
- Units must be properly packaged to prevent damage or soiling during transit.
- Shipping boxes must be labeled with property name, item number, PO number, and spec number.
- All products must be designed to fit within service elevators, corridors, and doorways. If not, items must be shipped in knock-down state for on-site assembly.
- Manufacturers must submit scaled shop drawings with full details (plans, elevations, sections, materials, finishes, hardware, dimensions).
- Finish samples must be submitted on appropriate substrates for approval prior to production.
- Review time for submittals is 5 business days.
- All substitutions or changes must be approved in writing by the designer.
- Coordinate with general contractor to confirm elevator cab sizes, corridor widths, and mounting heights.
- Manufacturers must ensure products are structurally sound, properly weighted to prevent tipping, and bolted where required (e.g., earthquake zones).

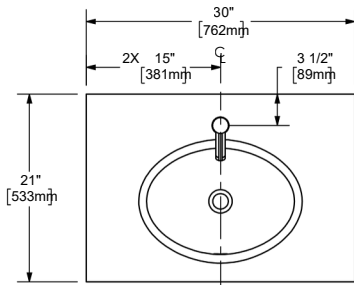
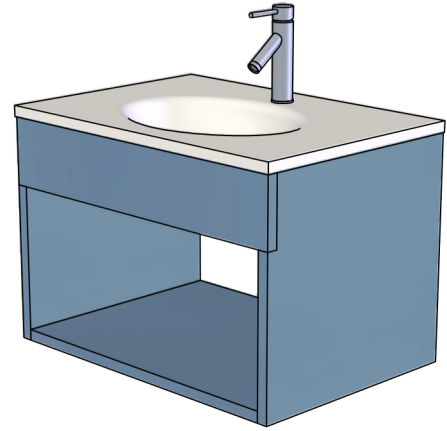
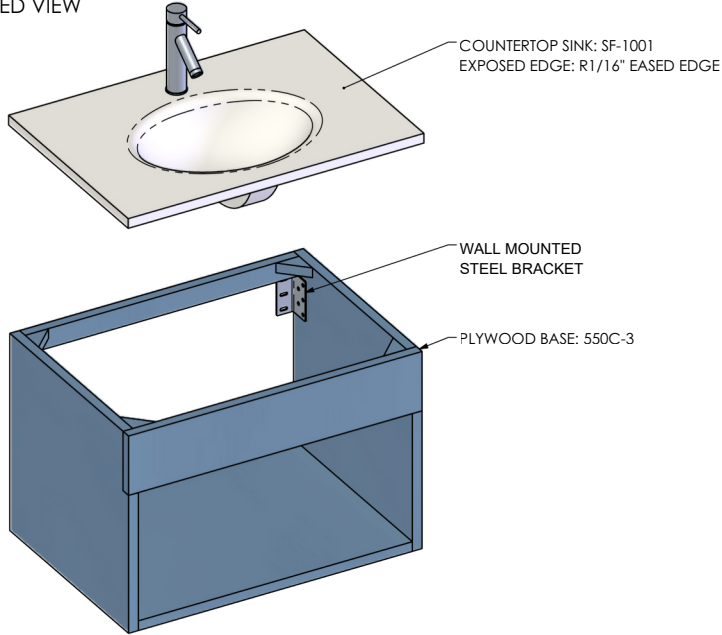
# TECHNICAL DRAWINGS

# VANITIES

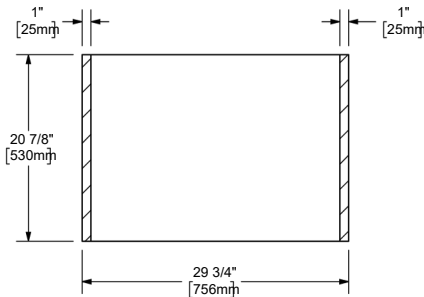
BY ELECTRIC MIRROR®

550C-3: BENJAMIN MOORE MONACO (550C-3), 30% SHEEN  
 SF-1001: FROSTY CHATEAU SOLID SURFACE, MATTE  
 SINK: INTEGRATED OVAL SINK  
 FAUCET: SINGLE FAUCET, (3D MODEL FOR REFERENCE ONLY)

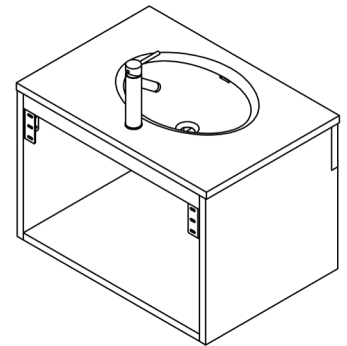
## EXPLODED VIEW



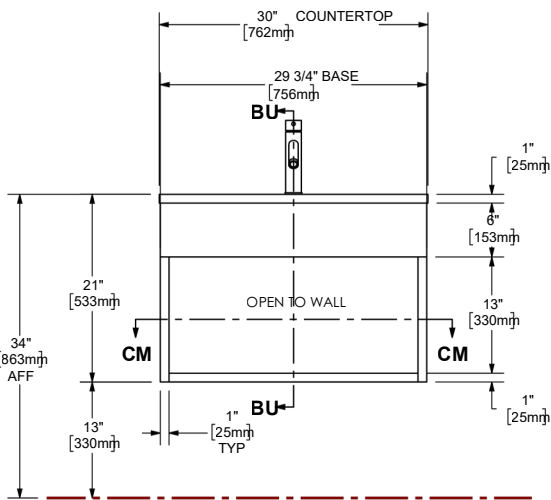
TOP VIEW



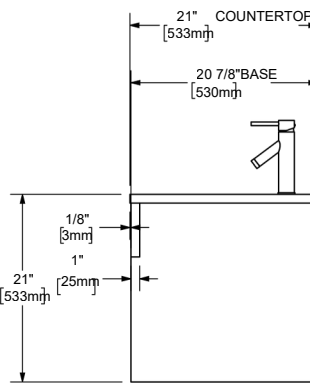
SECTION CM-CM



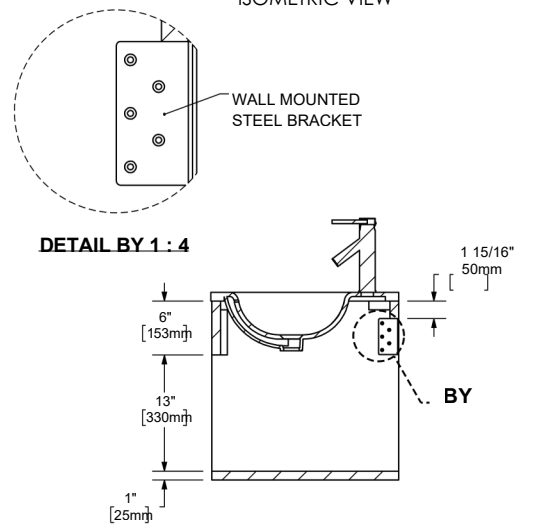
ISOMETRIC VIEW



FRONT VIEW



RIGHT VIEW



SECTION BU-BU

DETAIL BY 1 : 4