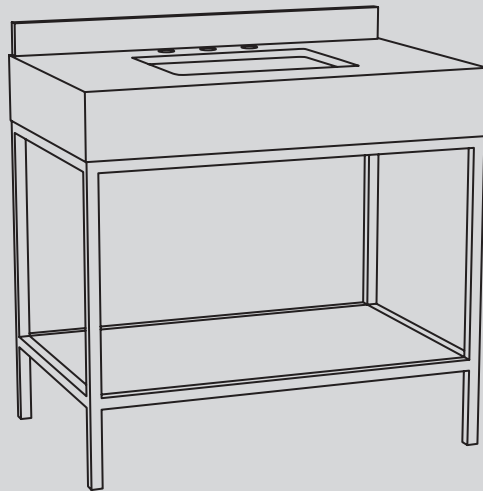


VANITIES  
BY ELECTRIC MIRROR®



INSTALLATION GUIDE  
SAVANNAH VANITY

## CONGRATULATIONS

You've purchased one of the finest vanities available. Please read these unpacking and installation instructions thoroughly before beginning the process.

If you have any questions or need help along the way, please contact our Customer Service team for assistance.

### NEED HELP?

Call: 425-776-4946

Email: [support@electricmirror.com](mailto:support@electricmirror.com)



### STORAGE GUIDELINES:

- Store all components in a dry, climate-controlled area to prevent damage from moisture or temperature fluctuations.
- Keep the countertop in its original packaging until installation to protect it from scratches, chips, or other damage.
- Store the countertop vertically in a safe and secure location to avoid tipping or accidental damage.
- Do not stack anything on top of the boxes or crates to prevent crushing or warping.

### HANDLING INSTRUCTIONS:

- Always use a two-person crew when moving the countertop. The stone is heavy and fragile, requiring careful handling.
- Carry the countertop vertically to distribute weight evenly and reduce the risk of breakage. Carrying horizontally will increase the likelihood of cracking or breaking.
- Avoid dragging or sliding the countertop, as this can cause scratches or damage to the surface.

### SITE PREPARATION:

- Pre-install wood blocking in the wall as needed to securely anchor the vanity to the wall.
- A qualified electrician should install the required electrical box and it should be protected by a GFCI circuit in adherence with your local electrical building codes.

### INSTALLATION PREPARATION:

- Before you begin installation, please inspect the Quartz Countertop for any cracks or other defects. If defects are detected, do not install it. Contact our Customer Service team for assistance.
- Ensure the installation area is clean, level, and free of debris to facilitate proper placement.
- Allow the countertop to acclimate to room temperature for at least 24 hours before installation, especially if it has been stored in a cold environment.
- Have all necessary tools and materials ready, including: anchoring hardware, adhesive/sealant, and leveling equipment.
- Wear appropriate safety gear, such as: safety glasses, gloves, and closed-toe shoes during handling and installation.

## PARTS INCLUDED

- A. Backsplash x 1
- B. Countertop x 1
- C. Sink x 1
- D. Undermount Sink Clips x 4 (for mounting sink to countertop)
- E. Washers x 4 (for mounting sink to countertop)
- F. Machine Screws x 4 (for mounting sink to countertop)
- G. Wing Nuts x 4 (for mounting sink to countertop)
- H. Vanity Base x 1
- I. Glass Shelf x 1

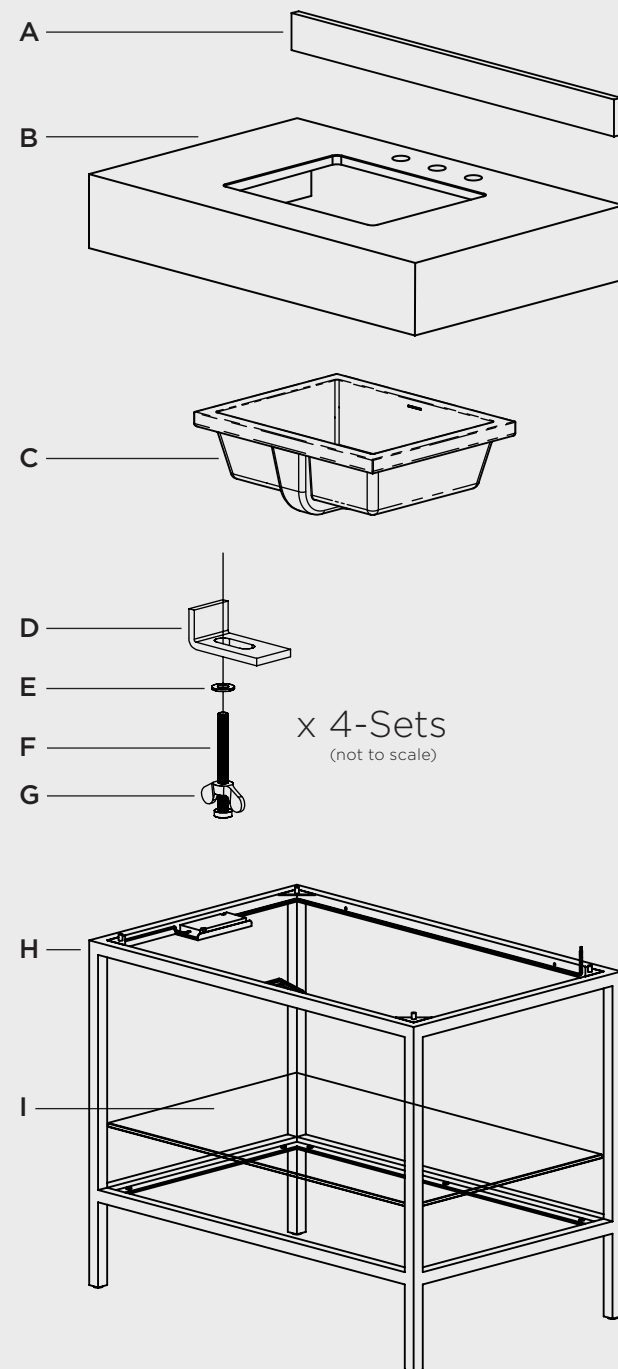
## ADDITIONAL ITEMS NEEDED

(NOT INCLUDED)

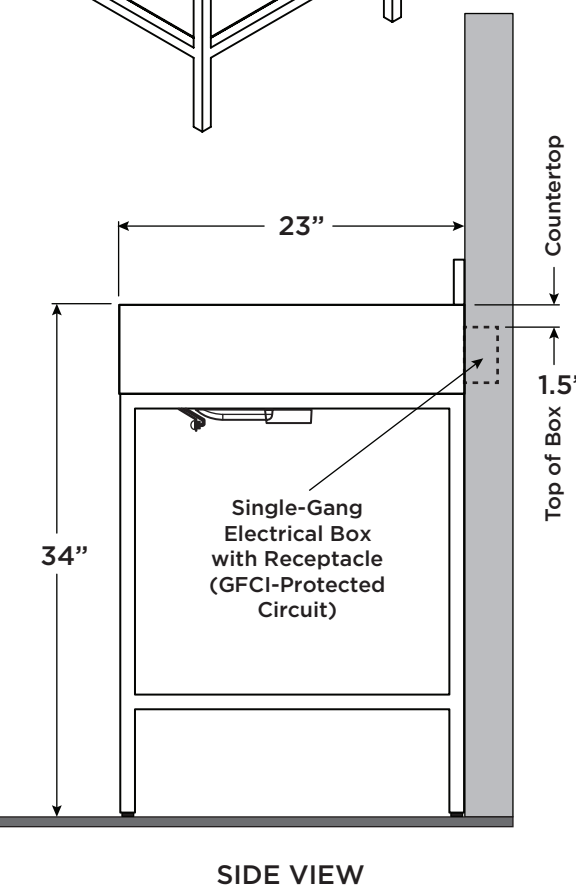
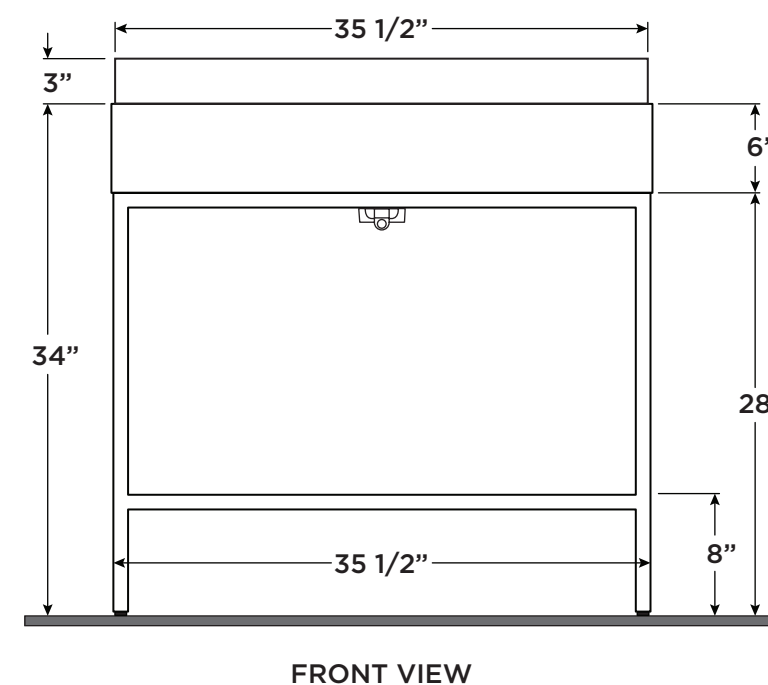
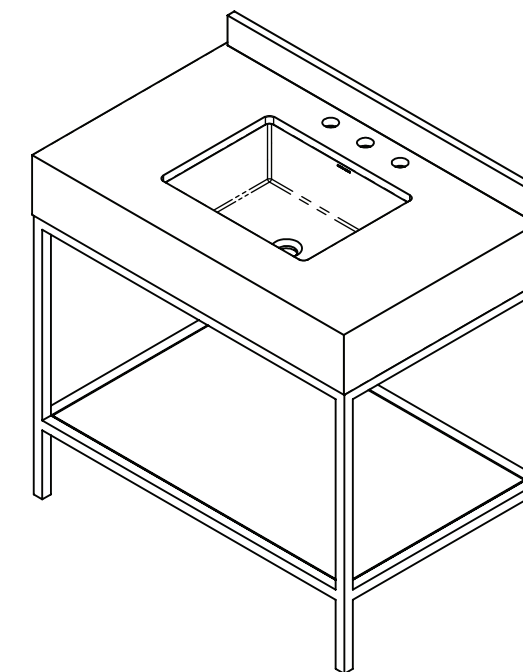
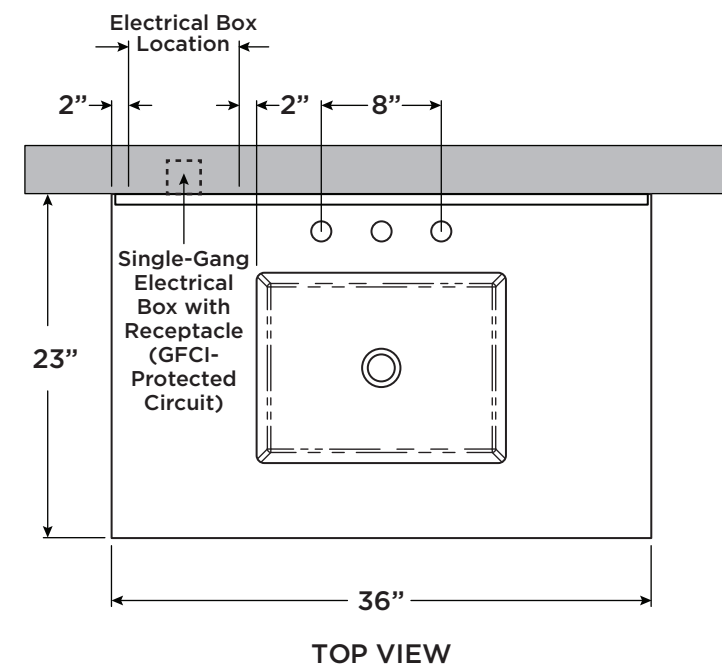
- Screws/Anchors x 2 (to attach Vanity Base to the wall)
- Washers x 2 (used with Screws/Anchors)
- Silicone Sealant (for sink, countertop, and backsplash)

## TOOLS NEEDED

- Pencil
- Tape Measure
- Level
- Stud Finder
- Screwdriver (Phillips Head)
- Drill/Driver
- Drill Bits
- Driver Bits
- Caulking Gun



## VANITY DIMENSIONS

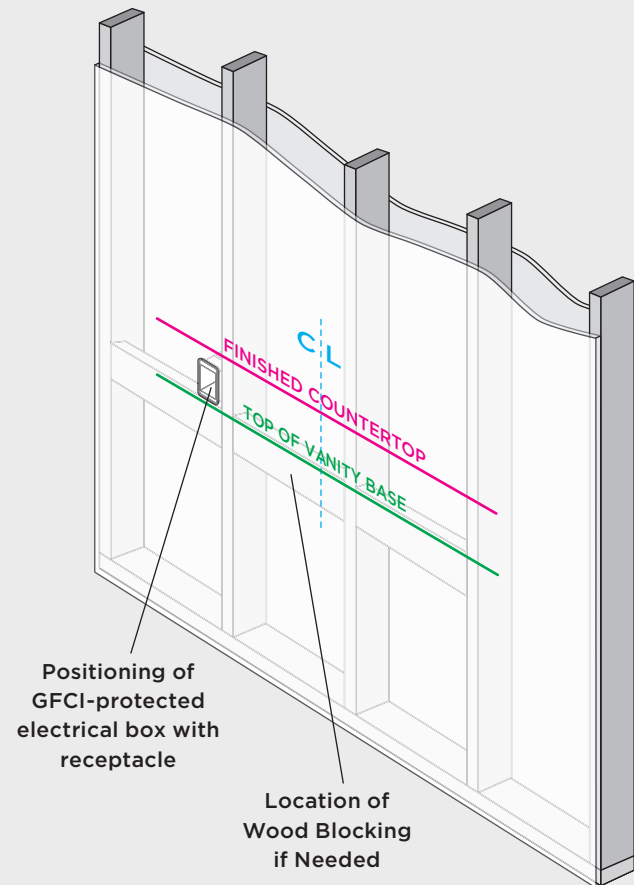
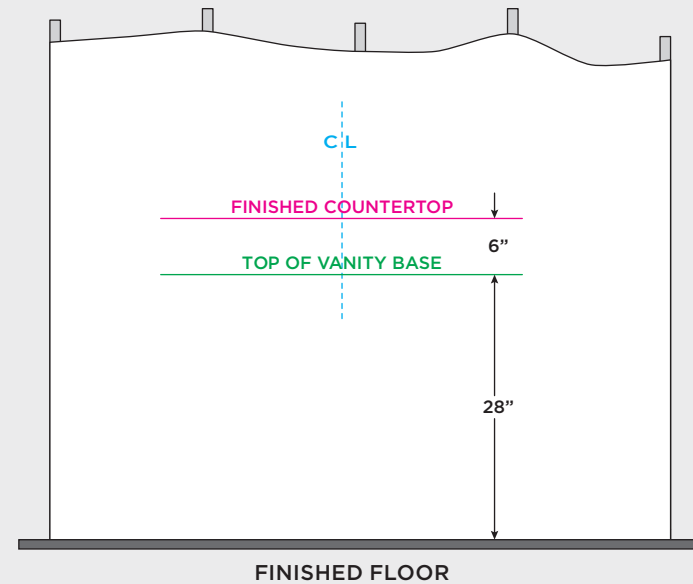


## IDENTIFY POSITIONING

1. Find the centerpoint of where you want to install the vanity and mark it on the wall using a pencil.
2. Using a level, scribe a vertical line to indicate the center line of the vanity and label it for reference.
3. Measure up 28" from the finished floor and mark it on the wall using a pencil. Using a level, scribe a horizontal line on the wall slightly narrower than the width of the vanity. This line indicates the top edge of the vanity base. Label it for reference.
4. Measure up 6" from this line and scribe another horizontal line on the wall slightly narrower than the width of the vanity. This will be the height of the finished countertop. Label it for reference.

## PREPARE THE WALL

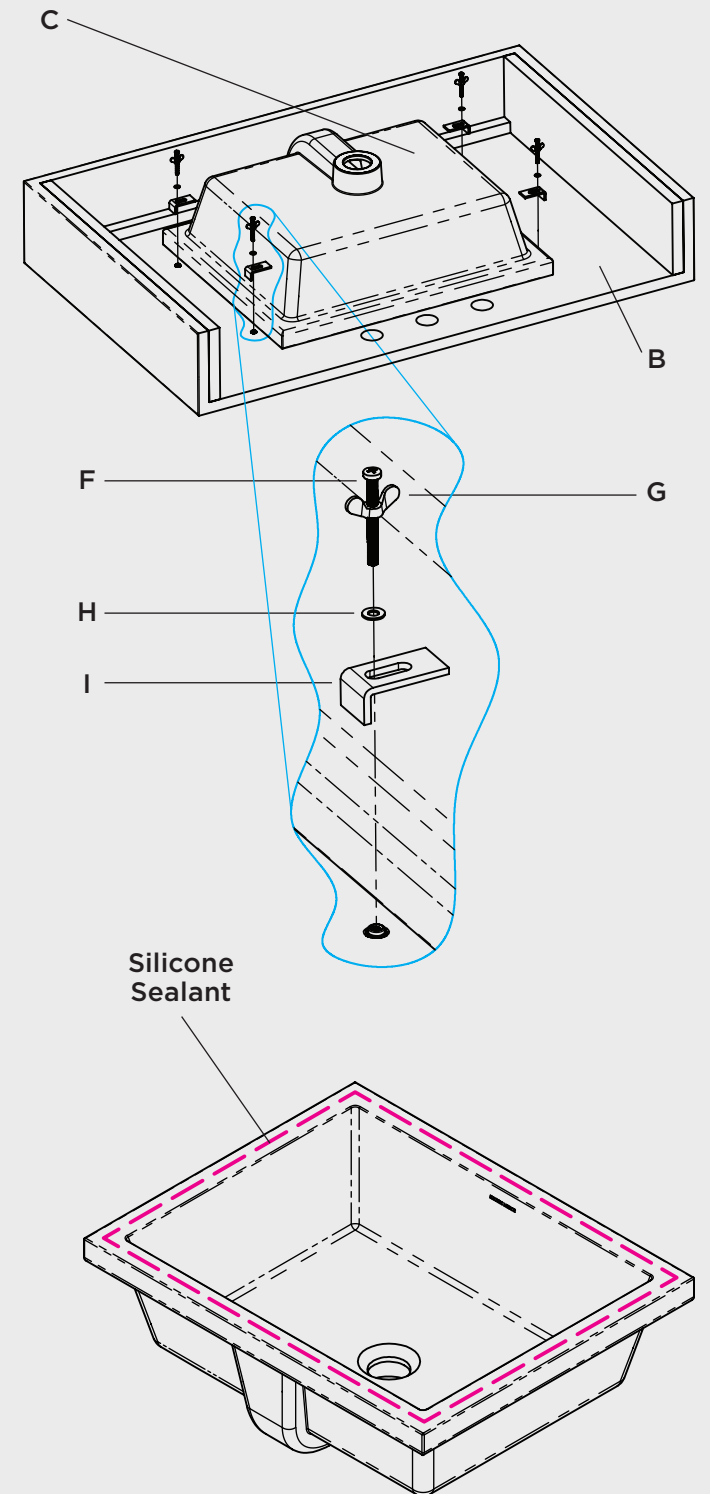
1. The vanity base mounts to the wall using either wood screws into wood framing/blocking or appropriate drywall anchors into the drywall.
2. If using wood screws to secure the vanity base to the wall, first install framing/blocking in the area(s) needed using an approved method based on your local building codes.
3. Additionally, an approved standard NEMA 1-gang US electrical junction box is required to provide power to the vanity.
4. The recommended location for the electrical box is to the left side of the sink opening between the top of the vanity base at least 1-1/2" below the finished countertop, 1/2" above the top of the vanity base, and at least 2" inset from the outer left edge of the vanity base.
5. The box may be oriented vertically or horizontally based on preference and available spacing. Be sure to leave enough room for the cover plate (typically 1/4" on all sides) so that it does not interfere with installation of the vanity base or countertop.
6. Use the previously scribed lines for the finished countertop height and top of vanity base to help with positioning of the electrical box.
7. Measure over 16" to the left of the centerline and mark it. Be sure to position the electrical box to the right of this mark to ensure it is located within the bounds of the vanity and will not interfere with the countertop or base.
8. A qualified electrician should wire the box to a GFCI-protected circuit in adherence with your local electrical building codes. A standard, grounded receptacle is required.



## MOUNT THE SINK TO THE COUNTERTOP

1. Place the countertop face down on a blanket, smooth cardboard, or another clean, smooth work surface sufficient to support the weight of the countertop.
2. Four holes with threaded inserts for the sink mounting clips should be visible.
3. Verify the sink cutout alignment by positioning the sink in the desired mounting location and checking alignment. Be sure to leave a minimum clearance of 9/16" on the underside of the countertop between the back edge of the sink and the faucet holes (required for proper installation of the faucet).
4. Mark the corners of the sink position on the under side of the countertop using a pencil.
5. Align Sink Clip (I), Washer (H), and Machine Screw (F) with Wing Nut (G) and thread Machine Screw (F) into threaded insert in the bottom of the countertop.
6. Repeat Step-5 for the three remaining holes (there will be 4 total).
7. Tighten the Wing Nuts (G) just enough for the Sink Clips (I) to hold the sink in place without allowing any movement. **BE CAREFUL NOT TO OVER-TIGHTEN THE WING NUTS OR YOU MAY RISK DAMAGING THE SINK OR COUNTERTOP.**
8. Using a team of 2 people, carefully flip the countertop right side up to check the sink alignment within the cutout.
9. Turn the countertop/sink assembly face down again and make any positioning adjustments needed to align the sink within the cutout.
10. Re-mark the sink positioning, as needed, using a pencil.
11. Loosen the Wing Nuts (G) and move the Sink Clips (I) out of the way of the sink.
12. Leaving the countertop in place, turn just the sink over and apply a bead of silicone sealant around the entire rim of the top side of the sink (as shown).
13. Flip the sink over and carefully lower it back into place onto the countertop, aligning it using the positioning marks made earlier. Press down firmly.
14. Re-install the Undermount Sink Clip Assembly (Parts I, H, F, and G) to secure the sink to the countertop by carefully tightening the Wing Nuts (G). **BE CAREFUL NOT TO OVER-TIGHTEN THE WING NUTS OR YOU MAY RISK DAMAGING THE SINK OR COUNTERTOP.**
15. Wipe away any excess silicone using a soft cloth.

Allow the silicone sealant on the sink rim to fully cure according to the manufacturer's recommendations before installing the countertop onto the vanity base.



## MOUNT THE VANITY BASE

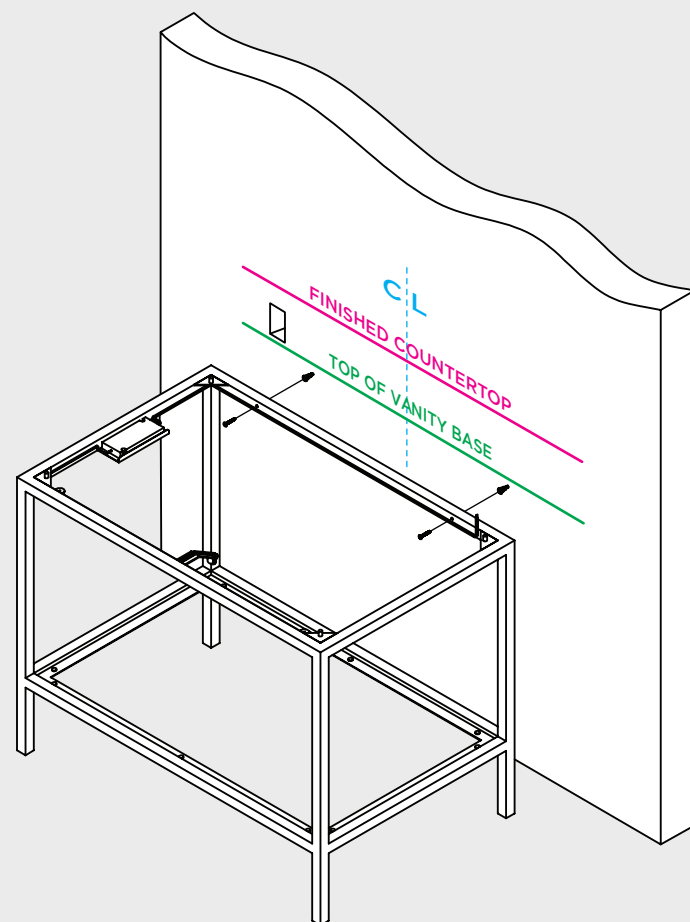
**IMPORTANT:** Ensure that any framing/blocking needed and grounded GFCI-protected electrical box have been installed in the wall before proceeding.

1. Measure and mark the centerpoint of the vanity base on the top edge of the metal frame in the back where it mounts to the wall.
2. Position the vanity base on the wall by aligning the centerpoint marked on the vanity with the centerpoint previously marked on the wall.
3. Check to see if the vanity base is level. If not, adjust the feet to level it in both directions.
4. Ensure the electrical box is accessible from inside the vanity base.
5. Use appropriate wood screws or drywall anchors to mount the vanity base to the wall through the holes in the back of the top rail of the metal frame to secure the vanity to the wall.

## CONNECT THE ELECTRICAL

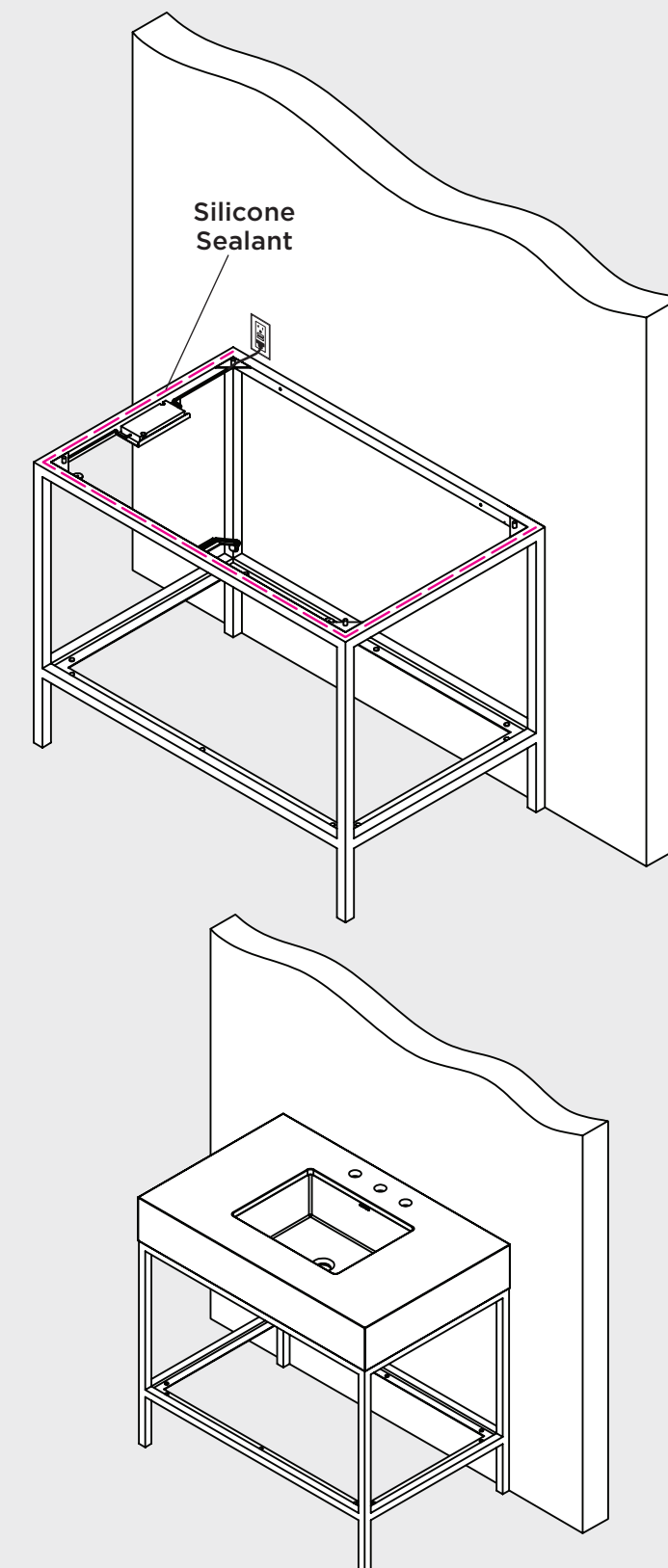
**IMPORTANT:** The grounded electrical box should be installed by a qualified electrician using a protected GFCI circuit.

1. Plug the cord for the under-cabinet lighting into the power receptacle.
2. Test the motion-sensor-activated under-cabinet lighting to ensure it is working.



## INSTALL THE COUNTERTOP

1. Using a 2-person crew, and keeping the countertop vertical, carefully place the back edge of the countertop (with the sink attached) onto the back edge of the vanity base. Then, slowly lower the front edge onto the base. If the sink catches on the front edge of the base, you may need to lift the back of the countertop slightly until the sink clears.
2. Check that the countertop fits properly and that there is a slight overhang on both sides and the front edge. Ensure the countertop is centered over the base by verifying the overhang is equal on each side.
3. Once you have confirmed the countertop fits, carefully tilt it back vertically by lifting the front edge. Then set the countertop aside onto a smooth, clean surface to ensure it doesn't get scratched or broken.
4. Apply a series of 2-3" long heavy beads of clear silicone adhesive/sealant around the perimeter of the top edge of the front, left, and right sides of the vanity base frame.
5. Using a 2-person crew, carefully place the countertop (with the sink attached) onto the vanity base.
6. Ensure the countertop is pushed all the way back until it touches the wall.
7. Verify the positioning of the countertop left-to-right on the vanity base to ensure there is the same overhang on both sides. The front edge should also have a slight overhang.
8. Wipe away any visible adhesive/sealant around the edges of the countertop and base.



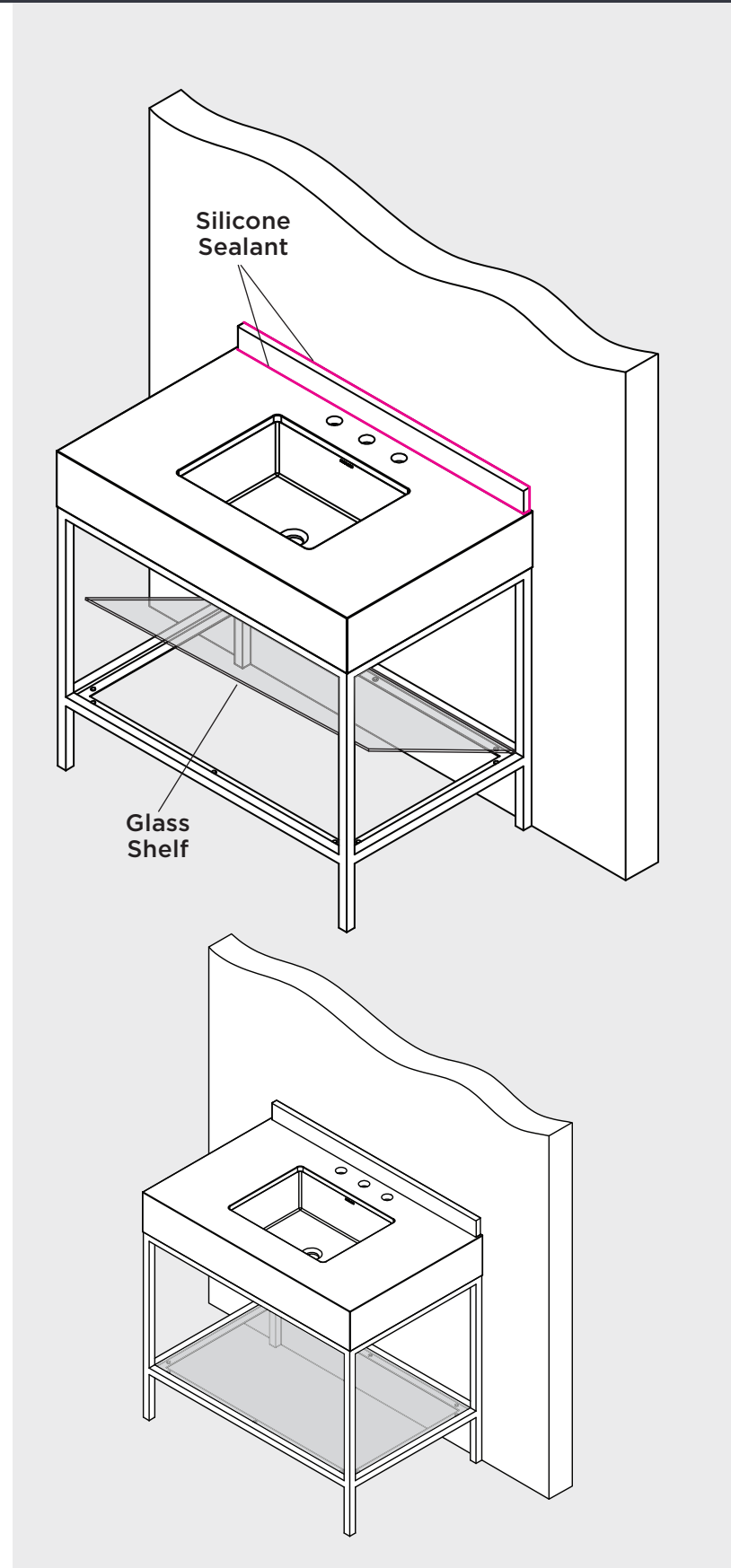
## INSTALL THE BACKSPLASH

1. Apply a bead of silicone adhesive/sealant in a zigzag pattern on the back of the backsplash.
2. Set the backsplash vertically onto the countertop near the wall and carefully slide it back until it touches the wall. Push it gently into the wall to adhere it.
3. Apply a small continuous bead of silicone sealant all the way around the bottom seam where the backsplash contacts the countertop to prevent any water from seeping under the backsplash.
4. Apply a small bead of silicone sealant all the way around the seam between the backsplash and the wall to prevent any water from getting behind it.

## INSTALL THE GLASS SHELF

1. A team of two is recommended for installing the glass shelf at the bottom of the vanity base.
2. Be careful to not allow the edges of the shelf to contact the metal legs of the vanity base. The shelf is made of tempered glass, which is designed to shatter if an edge gets chipped or broken.
3. Tilt the shelf slightly by lifting the front edge up and holding the back edge a bit lower so that you can fit it in between the legs of the base. Move it into position within the open area underneath the countertop while avoiding contact with the metal frame of the vanity base.
4. Carefully place the back edge of the shelf into position so that it is resting against the metal flange on the back rail. Then, slowly lower the front edge of the shelf into place. **CAUTION: Do not allow the shelf to drop or make hard contact with the metal frame at any point. This could shatter the glass.**
5. You may need to reach underneath the bottom frame of the vanity base to hold the shelf from underneath and carefully lower it until the front edge rests on the flange on the inside edge of the front rail.
6. Once in position, the edges of the shelf will be protected by the metal frame of the vanity base and breakage should no longer be a concern.

The glass shelf is designed to hold towels and other accessories. **Do not apply excessive weight or pressure on the shelf or it may break. Never use the glass shelf or the vanity base as a step, or the glass may shatter.**



## PRODUCT CARE & MAINTENANCE

Outlined below is product care and maintenance guidelines for your new bathroom vanity. Provided here are detailed instructions on caring for countertops and guidance on maintaining sinks and vanity bases.

Different types of materials can be integrated into the base of vanities. Please review these essential care tips and maintenance guidelines to uphold the quality of your bathroom vanity while protecting the finishes.

### USE THE RIGHT KIND OF CLEANING CLOTH

Always use soft, grit-free, and lint-free microfiber cloths to reduce the chance of scratching the surfaces.

The best and safest way to clean your vanity is using warm water and a microfiber cleaning cloth.



### QUARTZ COUNTERTOP

Simple maintenance can keep your quartz countertop looking great for life. Quartz countertops are extremely resilient and never require sealing, polishing, or reconditioning. Routine care and cleaning are very simple, and with basic precautions to prevent stains, dents, or scratches, quartz countertops can lend beauty and a sense of permanence to any space. Here are a few tips for caring for your countertops.

- Never use strong chemicals or solvents, including but not limited to: strong alkaline, acid, or oxidizers. Various chemicals are corrosive.
- Do not use certain cleaning products, including, but not limited to: bleach, oven cleaners, Comet™, SoftScrub™, S.O.S.™ pads, batteries, paint removers, furniture strippers, and tarnish or silver cleaners.
- Never use abrasive scrub pads.
- Do not apply any sealers, penetrants, or topical treatments under any circumstances.
- Hitting edges around the sink could cause chips.
- Sharp objects could leave scratch marks.
- Heat will damage quartz and should be avoided.

### SINK

Our sinks are made of vitreous China which is a very strong and durable material. With proper care, it can remain beautiful for many years to come. Follow the cleaning and repair guide below.

To clean the sink, gently wipe it with a soft cloth, then rinse and dry thoroughly. Never use abrasive cleaners, sponge pads, steelwool, or wire brushes. Also avoid strong chemicals or solvents.

Follow these additional steps for optimal results in effectively repairing your vitreous China sink and addressing issues such as fine scratches and minor cuts.

#### Removing fine scratches:

- Fill the sink with warm water and add two cups of bleach.
- Let the solution sit overnight.
- Drain, rinse and dry completely.

#### Removing minor cuts:

- Sprinkle baking soda over the length of the cut.
- Buff the cut with a soft, damp cloth, rubbing the entire length of the cut in a circular motion back and forth.
- After a few minutes of rubbing, rinse with warm water, and dry completely.

### METAL

Wipe away any spills or smudges with a damp microfiber cloth using just water or in combination with a mild soap. Do not use scouring pads or sponges—these can easily scratch the surface and remove its luster. **Do not use ammonia, bleach, or other chemical cleaners that can also damage the finish.**

### WOOD & VENEER

Wipe the surface with a slightly damp, soft, lint-free microfiber cloth for daily cleaning. Wipe dry in the direction of the wood grain. Avoid wax or oil-based furniture polishes and cleaners, which will build up on the surface. **Additionally, avoid cleaning products that contain ammonia, alcohol, or abrasives.**

### GLASS

The best and safest cleaner is simply clean, warm water used with a soft microfiber cloth. **If using a commercial glass cleaner, be sure to select one that DOES NOT contain ammonia or vinegar, which can damage the surface of the glass.** If applicable, be sure the glass cleaner does not touch any wood surfaces, as it will harm the finish.

VANITIES  
BY ELECTRIC MIRROR®